



MK3053C

New MK Series Model *Technology In Motion*



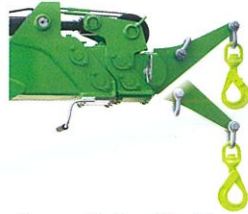
- Fully Proportional Radio Remote Control
- Automatic & Stepless Multi Outrigger Setting
- Variable Crawler Gauge
- Main Boom with 4 Falls Hook Mode
- Diesel / Electric / Battery spec
- Negative Angle Jib (Detachable)



Crane Capacity	Max. Working Radius	Max. Lifting Height
2.8t x 1.8m	14.3m	16.95m
(1.0t x 4.7m with Jib)		



Fully Proportional Radio Remote Control



2-ways Jib Head Position



Variable Crawler Gauge

New MK Series Model

MK3053C



Specifications

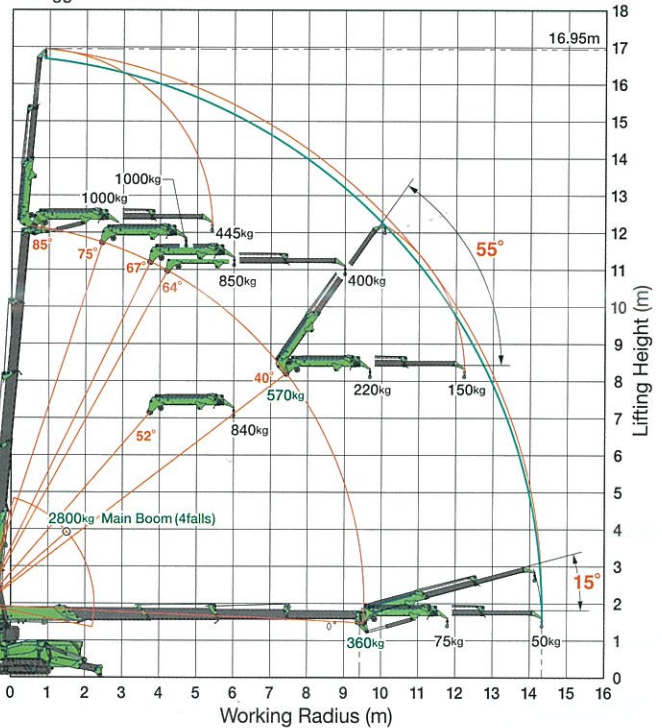
Model		MK3053CW		
Crane capacity Main boom / Jib		2.8t x 1.8m / 1.0t x 4.7m		
Max. working radius Main boom / Jib		9.4m / 14.3m		
Max.lifting height (on the ground) Main boom / Jib		12.0m / 16.95m		
Boom	Telescopic system	Type	Fully automatic 5-section pentagonal telescopic boom	
		Boom length	3.1m - 10.3m	
	Boom telescoping stroke / time	7.2m / 59sec		
Boom hoist system	Hoist angle / time	0 to 85deg / 26sec		
Jib	Telescopic system	Type	Fully automatic 3-section pentagonal telescopic jib	
		Jib length	2.3m - 4.8m	
	Jib telescoping stroke / time	2.5m / 18.6sec		
Jib hoist system	Hoist angle / time	195deg / 17.5sec		
Slew system	Slew angle / time	360deg / 1.1rpm		
Outrigger system	Type	Hydraulic cylinder direct acting type		
	Max.extended width	(Lateral)4,546 × (Front)4,537 × (Rear)4,315mm		
	Extended position	Multi (stepless)		
Travel system	Type	Hydraulic motor driven , stepless speed changer		
	Travel speed	0 - 2.4km/h		
	Gradability STD / WIDE	18.5deg / 26deg		
	Crawler ground length x width	950mm x 180mm		
	Gauge width	780mm - 1,050mm		
	Ground pressure	83.4kpa [0.85kgf/cm ²]		
Engine (MK3053CW, MK3053CWE)	Model	KUBOTA Z482-E4B		
	Displacement	0.479L [479cc]		
	Rated output	7.2kw/2,600min ⁻¹ [9.8ps/2,600rpm]		
	Fuel	Diesel		
Electric Motor (MK3053CWE)	Motor type	Totally enclosed fan-cooled motor 4.0kw, 4P 380V(200-415V)		
	Type	Lithium Titanate Battery		
Battery system (MK3053CWB)	5-hour rate capacity	DC55V-135Ah, 7.4kWh		
	Input Voltage / current	Single phase AC200V/16A, AC100V/14A		
	Charging time	with AC-200V	80%:2h20min / 100%:3h30min	
		with AC-100V	80%:5h20min / 100%:7h00min	
	Operating time	Up to a full working day if charged during operation		
	Charging during operation	Available		
Remote control system	Type	Paddle type radio & Proportional control		
Overall length × width × height	3,195mm × 780mm × 1,945mm			
Machine weight (MK3053CWE)	2,900kg			
Optional equipment	Winch (4 falls) Black or White rubber tracks (depends on spec)			



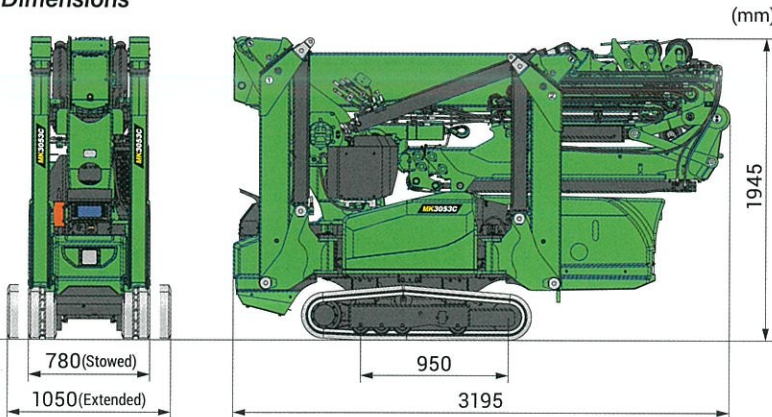
Automatic & Stepless Multi Outrigger Setting

Working Range Chart

Outriggers Position : Max



Dimensions



! Before use, please read the Operation Manual

* Due to improvements, the specifications are subject to change without notice.

MAEDA SEISAKUSHO CO., LTD.

Head office
No.1095, Onbegawa, Shinonoi, Nagano-City, Nagano-Pref. 388-8522 Japan
TEL.+81(0)26 292 2228 FAX.+81(0)26 293 5590
URL : www.maeda-minicranes.com E-mail : contact@maeda-minicranes.com



Thank you for your support as we celebrate the 60th anniversary of Maeda Seisakusho in 2022. Since it was founded, Maeda Seisakusho has delivered safety and security to customers with reliable quality and passion. The passion of each and every employee has never changed. We are grateful to everyone who has supported us. We will continue to challenge ourselves as we aim for a bright future full of smiles.